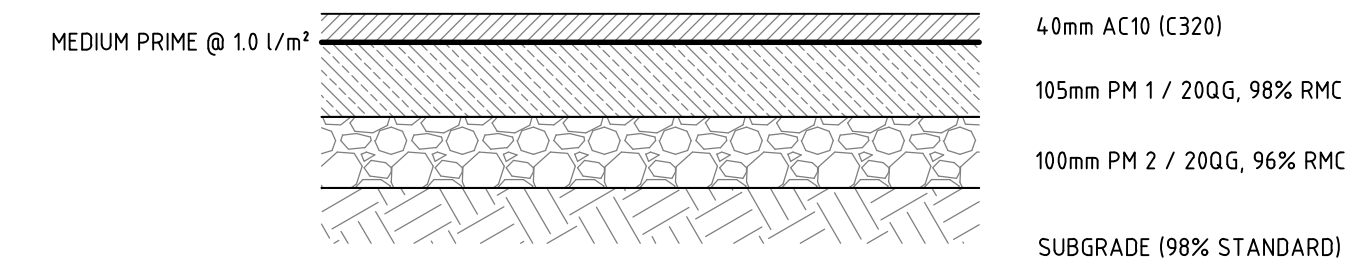
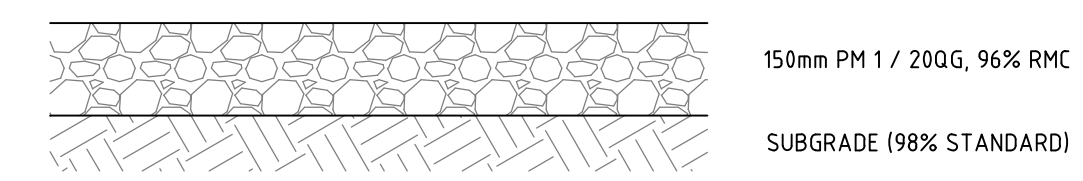


ASPHALT FOOTPATH DETAIL / DRIVEWAY DETAIL
SCALE 1:10



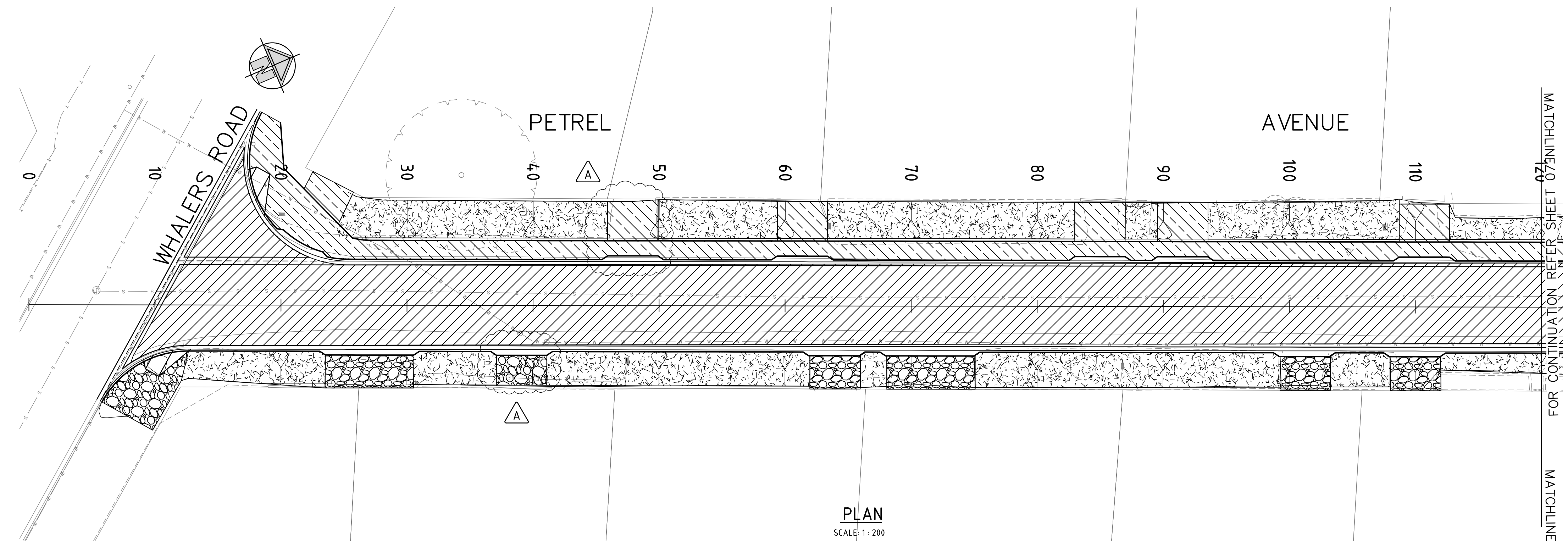
ROAD PAVEMENT DETAIL
SCALE 1:10



CRUSHED ROAD FOOTPATH / DRIVEWAY DETAIL
SCALE 1:10

PAVEMENT TYPE LEGEND

	ROAD PAVEMENT (REFER DETAIL)
	ASPHALT FOOTPATH / DRIVEWAY (REFER DETAIL)
	CRUSHED ROAD FOOTPATH / DRIVEWAY (REFER DETAIL)
	80% SAND/20% LOAM MIX
	BLOCK PAVERS TO BE LIFTED AND RELAID TO MATCH NEW KERB CROSSOVER.



PLAN
SCALE: 1:200



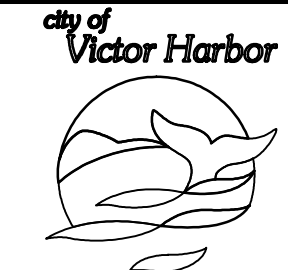
WGA WALLBRIDGE GILBERT AZTEC 60 Wyatt Street, Adelaide, SA 5000 Telephone 08 8223 7433 Email adelaide@wga.com.au	JOB NO	WAD161354-06A,RevA
	DESIGN	M.BERRY
	DRAWN	T.BETTERIDGE
	CHECKED	P.FLOOD
	DIRECTOR	D.BYRNE

FOR CONSTRUCTION

REV	DATE	DESCRIPTION	DRAWN	DES	APP'D
A	11.02.19	ADDITIONAL DRIVEWAYS - HOUSE NOS 23 & 24A	CoVH		CoVH
0	16.05.17	ISSUED FOR CONSTRUCTION	WGA	WGA	WGA
		REVISIONS & APPROVALS			

DRAWING SHEET DETAILS	
ORIGINAL SHEET SIZE	A1
SCALES USED	1:200
COORDINATE SYSTEM	MGA94
CAD FILE NAME	WAD161354-06A.DWG

CITY OF VICTOR HARBOR
 P.O. BOX 11
 VICTOR HARBOR
 S.A. 5211



PROJECT OWNER _____
 NAME _____
 DATE _____

COMMENTS RECEIVED			
TITLE	NAME	SIGNATURE	DATE
MANAGER INFRASTRUCTURE	BRUCE HENDERSON		
MANAGER ENVIRONMENT & RECREATION	BRIAN DOMAN		
MANAGER OPERATIONS	MIKE ROSS		
PROJECT COORDINATOR	ANTHONY TAYLOR		

PETREL AVENUE
 PAVEMENT TREATMENT PLAN; MC01 CH 00 TO 120
 ENCOUNTER BAY

PLAN No.	CW55238
SHEET No.	06
REV CODE	A